

INSTALLATION MANUAL

BGRS RAIN SHROUD



WARNING

Do not install, operate or service this product unless you have read and fully understand the entire contents of this manual. Failure to do so may result in property damage, bodily injury or death.

BLUE GIANT[®]

WARRANTY INFORMATION

Thank you for purchasing Blue Giant products. We appreciate your business, and are confident that our product will serve you for many years to come. In the event that you experience a problem with our product, our Warranty Center is here to support the Blue Giant Product(s) that you have purchased.

To validate warranty on recently purchased equipment, please complete and submit your information with our on-line Warranty Registration at www.BlueGiant.com.

For more information about Blue Giant's Warranty Support, please contact your local Blue Giant Equipment dealer, representative or authorized partner near you. You may also visit www.BlueGiant.com or phone 1-905-457-3900.

* Note that failure to validate warranty at the time of receipt can seriously affect the outcome of any claim.

EXCLUSION OF LIABILITY

The manufacturer assumes no liability for damage or injury to persons or property which occur as a result of defects or faults in or incorrect use of the dock seal system. The manufacturer also assumes no liability for lost profits, operating downtimes, or similar indirect losses incurred by the purchaser. Injury to third parties, irrespective of its nature, is not subject to compensation.

The manufacturer reserves the right to make changes at any time to the modules, components, and accessories, concurrent with its continuing product development program. Specifications, operating instructions, and illustrations included in this manual are subject to change without notice. Please contact manufacturer for the latest information.

MANUFACTURER'S NOTE

The dock seal has been carefully inspected and tested at the manufacturer's plant prior to shipment, but should be checked upon receipt for transport damage. Any observed transport damage is to be listed on the signed copy of the freight document. Notify the freight forwarder of any damage WITHIN 48 HOURS.

OWNER'S PURCHASE RECORD

OWNER'S PURCHASE RECORD Please record information for future inquiries	
Dealer:	Date in Service:
Serial Number(s):	Number of Units:
	Door # :

The manufacturer offers a full line of dock levelers, dock safety equipment, accessories, ergonomic and scissor lift equipment, and industrial trucks. Concurrent with a continuing product improvement program, specifications are subject to change without notice. Please contact the manufacturer for latest information. Some features illustrated may be optional in certain market areas.

! WARNING

Post safety warning and barricade work area at both dock and ground levels to prevent unauthorized use of the dock position while service is being performed.

Parts List

- ☐ 1 HEAD FRAME COMPLETE WITH FOAM PAD
- ☐ 2 SIDE SUPPORT BRACKETS (LEFT, RIGHT)
- ☐ 1 STORAGE HEAD CURTAIN
- ☐ 1 TRIM ANGLE

Hardware

- ☐ 50 #14 X 1 ½" (38MM) WOOD SCREWS
- ☐ 1 INSTALLATION INSTRUCTION
- ☐ 20 ROOFING NAILS

INSTRUCTIONS

1. Marking and mounting locations for side supports

Measure one half of the top frame. From the center of the door at 172" (4.3m) off grade, mark the location on the wall out to the left and right for the side supports. Top of side support must be be 172" (4.3m) off grade. (Center peak of raked head frame must be at minimum 180" (4.7m) off grade for standard units.)

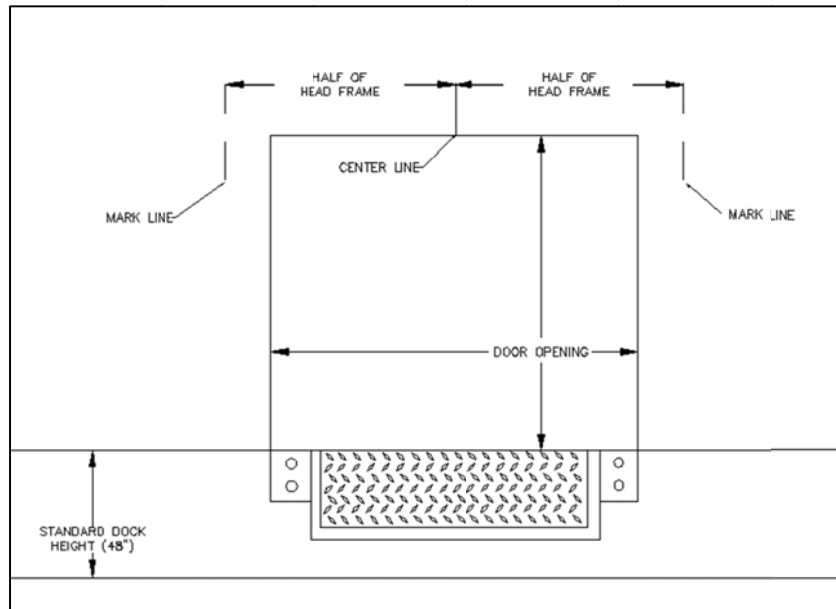


Figure 1

2. Attaching the side supports to the wall

Place inside edge of side support on mark made in step one (1). Mount side support at 172" (4.3m) from the grade to the top of the support. Fasten using four (4) 3/8" (10mm) x 1-7/8" (48mm) sleeve anchors or suitable equivalent.

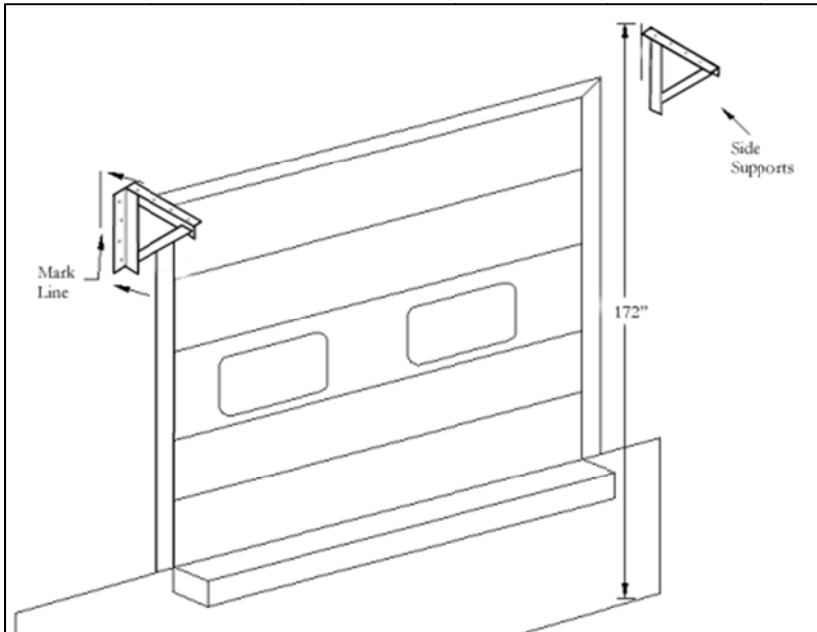


Figure 2

3. Attaching the head frames to the wall and side support

Mount the head frame on top of the two support angles on inside edge of side supports and fasten to the wall using five (5) - 3/8" (10mm) x 3" (76mm) sleeve anchors or suitable equivalent. Also attach head frame to galvanized side supports with #14 x 1.5" (38mm) wood screws supplied. See Figure 3.

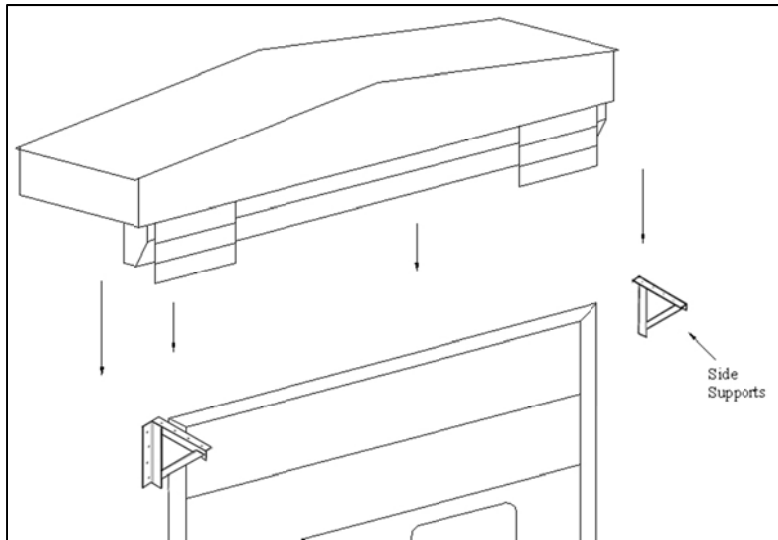


Figure 3

4. Attaching the head curtain

Attach storage head curtain to head frame using roofing nails supplied. Fasten galvanized trim angle supplied using #14 x 1.5" (38mm) wood screws. (Note: ensure that wood screws fasten through stiffeners in head curtain). See Figure 4. Important Note: You MUST ensure that the fasteners penetrate the stiffeners. It is necessary to pre-drill the stiffeners to prevent them from splitting.

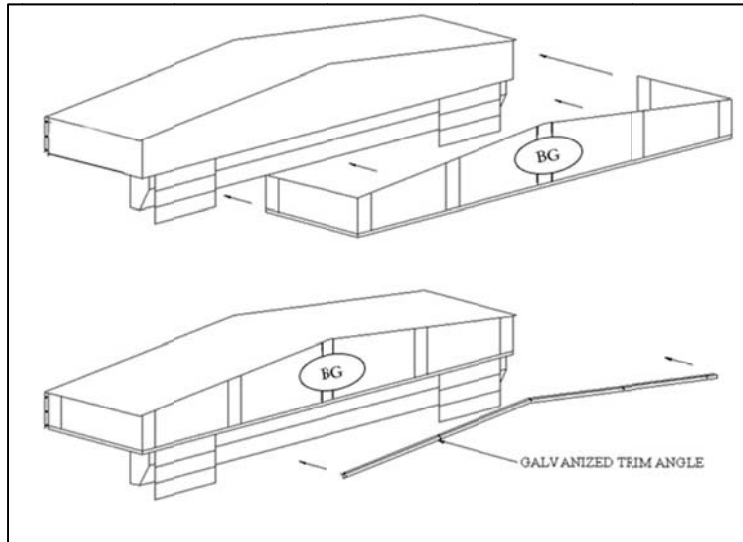


Figure 5

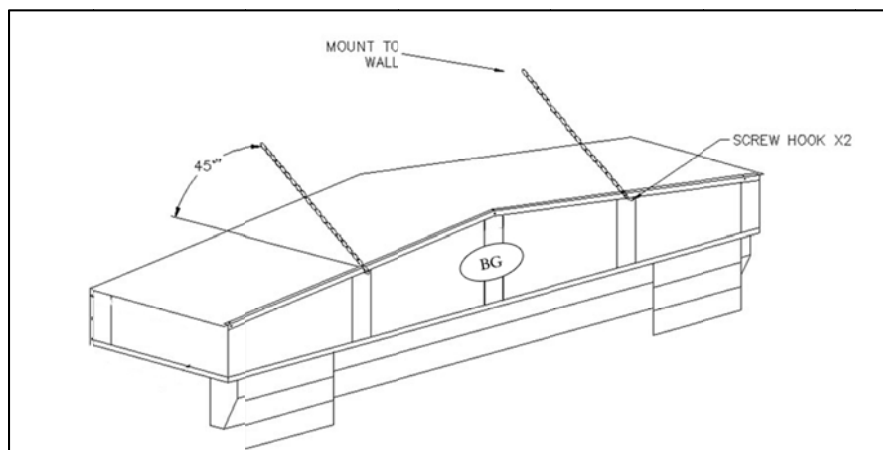
5. Caulking

Caulk across the top of the head frame using a good quality caulking.

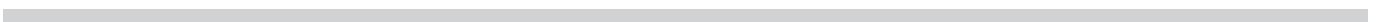
6. Cleanup

Clean up around the dock area when all work is complete

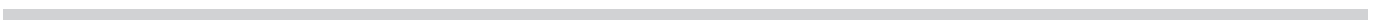
Snow Load Option



NOTES



NOTES



BLUE GIANT[®]
BLUE GIANT EQUIPMENT CORPORATION

Corporate 85 Heart Lake Road South
Brampton, ON, Canada L6W 3K2
t 905.457.3900 f 905.457.2313

USA 6350 Burnt Poplar Road
Greensboro, NC 27409
www.BlueGiant.com